

**NEXLEDS<sup>®</sup>**  
NEXLEDS LTD

**LED**  
LIGHTING



**NEXLEDS<sup>®</sup>**

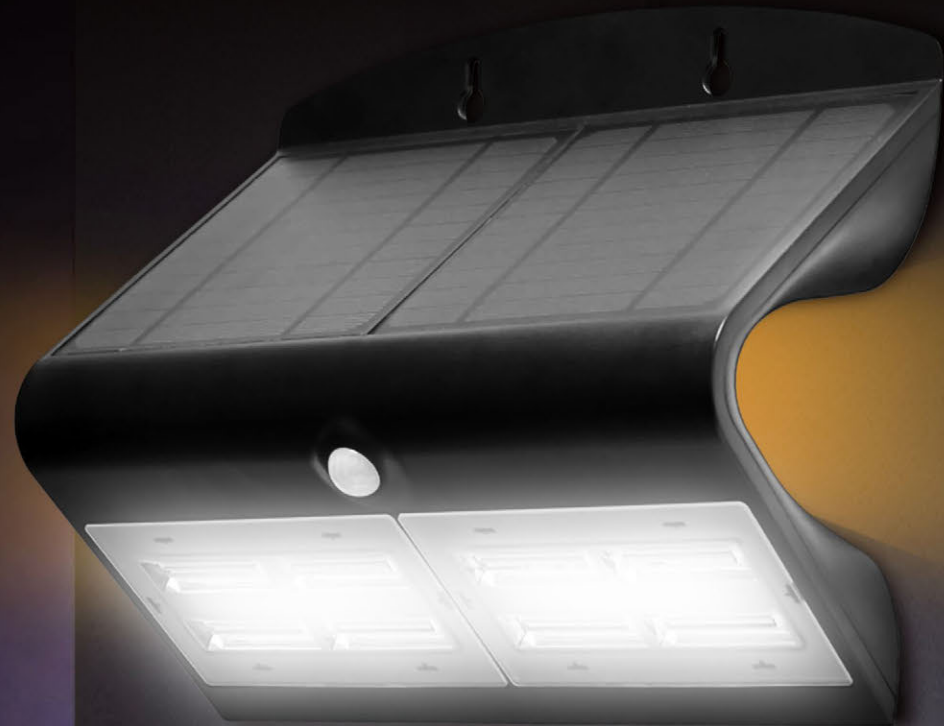
NEXLEDS LTD

 [www.nexleds.ca](http://www.nexleds.ca)  
 Email: [sales@nexleds.ca](mailto:sales@nexleds.ca)



**2023**  
**CATALOGUE**

**Sensor**  
**SOLAR**  
**LED Downwash Light**



Home: Gate, Garden, Balcony, Wall, Roof, Fence, Swimming Pool, Courtyard etc.  
Public: Park, Square, Pathway, School, Pavilions, Fence, Senic Spot, Stairs, Block, Entrance, Buildings etc.

**Solar**

- Solar Powered
- Motion Activated
- Super Bright
- \$0 Zero Electricity Cost
- 3 Working Modes
- IP65 Waterproof
- Long Lasting
- Cordless to Install

**Solar LED Downwash Light**

- Product Model: NX-410S-6.8W-N
- Rated Power: 6.8W
- Brightness: 800 lm
- LEDs: SMD2835\*60pcs(Front 58pcs+Back 4pcs)
- Solar Panel: 4.4 Wp, Mono-crystalline Silicone
- Li-ion Battery: 4000mAh/3.7V, 18650 Replaceable
- PIR Sensor Detection Area: 120°/≤6Mtr
- Working Time: charge one day can work for 3 nights.
- Housing Color: Black
- One key to control 3 different working modes
- Battery is replaceable

Color Temperature: 3000K ● 4000K ● 6000K ●

**Solar LED Downwash Light**

- Model NO.: NX-410S-1.5W-N
- Rated Power: 1.5W
- Brightness: 220 lm
- LEDs: SMD2835\*14 pcs  
(Front 12pcs +Back 2 pcs)
- Solar Panel: 0.7Wp, Poly-crystalline silicon
- Li-ion Battery: 1200mAh / 3.7V
- PIR Sensor Detection Area: 120° / ≤6Mtr
- Working Time: Charge one day can work for 3 nights
- Housing Color: Black
- One key to control 2 different working modes
- Battery can't be replaceable

Color Temperature: 3000K ● 4000K ● 6000K ○



Home: Gate, Garden, Balcony, Wall, Roof, Fence, Swimming Pool, Courtyard etc.  
Public: Park, Square, Pathway, School, Pavilions, Fence, Senic Spot, Stairs, Block, Entrance, Buildings etc.

**Solar**

- Solar Powered
- Motion Activated
- Super Bright
- \$0 Zero Electricity Cost
- 2 Working Modes
- IP65 Waterproof
- Long Lasting
- Cordless to Install



RGB



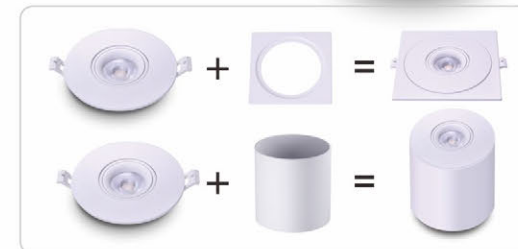
6500K, 3000K

**Solar Landscape Spotlight**

- Model NO.: NX-L400S-RGBCW
- Power Type: Solar
- Solar Board: Poly-crystalline
- Battery: Li-Ion 3.7V 1800mAh
- Watt.: 1.8W
- Lumen: 45LM
- Working Temp: -20~45°C
- Color: Black Color
- Flexible Angle: Vertical 120°(Lamp body)  
Vertical 90°(Solar panel )
- Beam Angle: 110°
- Product Size: 91\*188\*H290mm
- IP: IP65
- Application: Patio, Yard, Garden, Pathway, etc
- Warranty: 1 Year
- Standard: FCC

Color Temperature: RGB+CW (6500K, 3000K)





**3 CCT  
CHANGEABLE** **4"**

**3CCT Led Dimmable Downlight**

- Model NO. : NXCOB60-12W-3CCT-DIM
- Specification : AC100-120V, 50-60Hz, 0.3A max, 12W
- Working Temp : -20-50(°C)
- Power Factor : 0.9
- Cri(ra) : >80
- Color : White/Black
- Light Source : COB
- Lumen : >100 LM/W
- Beam Angle : 38°
- Adjustable Angle: 360° Gimbal
- Product Size : D4.88XH1.89 inch
- Cutout : 4.1/8 inch
- IP : Suitable for Damp location
- Application : Home, shop, hotel..etc.
- Warranty : 5 years
- Standard : ETL
- Dimmable : Yes

**Color Temperature:** 3000K-4000K-5000K  
(Changeable Dimmable)



**3CCT LED Puck Light**

- Model NO. : NX-2PL-243W-3CCT-W
- NX-2PL-243W-3CCT-B
- Specification : 24V DC 3W Max
- Working Temp : -20~40(°C)
- CRI(ra) : >80
- Color : White / Black
- Material : aluminum
- Light Source : SMD
- Lumen : 210 lm
- Life Time : 30000 hrs
- Beam Angle : 120°
- Product Size : 69mm
- Cut Out : 59mm
- IP : IP21
- Application : Home, Shop, Hotel...
- Warranty : 2 years
- Standard : ETL
- Dimmable : Yes

**Color Temperature:** 3000K-4000K-5000K (Changeable)



**5 CCT  
CHANGEABLE** **6"**

**5CCT LED Gimbal Downlight**

- Model No. : NX-GDL6-15W-5CCT
- Specification : AC120V; 50/60Hz; 15W
- Working Temp : -20~25(°C)
- Power Factor : >0.9
- CRI(ra) : >90
- Color : White Color
- Material : Aluminum+PC
- Light Source : COB Chip
- Lumen : 900~1050 lm
- Life Time : 30000 hrs
- Beam Angle : 60°
- Adjustable Angle : 45°
- Product Size : Φ7.48\*3.46 inch (190\*88mm)
- Cut Out : 6 inch
- Environment: Dry Location; Damp Location
- Application : Home, Shop, Hotel...
- Warranty : 5 years
- Standard : ETL

**Color Temperature:** 2700K-3000K-3500K-4000K-5000K  
Changeable

**5 CCT**  
CHANGEABLE

**4"**



**Gimbal LED Ceiling Downlight**

- Model NO. : NX-EGL-9W-5CCT
- Specification : AC100-130V;50/60Hz;264-266mA;9W
- Working Temp : -20~45(°C)
- Power Factor : 0.9
- CRI(ra) : >80
- Color : White Color
- Light Source : SMD2835
- Lumen : 750 lm
- Life Time : 50000 hrs
- Beam Angle : 36°
- Adjustable Angle: 23°
- Product Size : D5.04\*H0.93 inch
- Cut Out : D4.13 inch
- IP : IP35
- Application : Home, Shop, Hotel
- Warranty : 5 years
- Standard : ETL

**Color Temperature:** 2700K-3000K-3500K-4000K-5000K  
Changeable

**5 CCT**  
CHANGEABLE

**4"**



**Gimbal LED Ceiling Downlight (With Airtight Cap)**

- Model NO. : NX-EGLC-9W-5CCT / NX-EGLC-9W-5CCT-B
- Specification : AC100-130V;50/60Hz;264-266mA;9W
- Working Temp : -20~45(°C)
- Power Factor : 0.9
- CRI(ra) : >80
- Color : White Color / Black Color
- Light Source : SMD2835
- Lumen : 750 lm
- Life Time : 50000 hrs
- Beam Angle : 36°
- Adjustable Angle: 23°
- Product Size : D5.04\*H1.49 inch
- Cut Out : D4.13 inch
- IP : IP35
- Application : Home, Shop, Hotel
- Warranty : 5 years
- Standard : ETL

**Color Temperature:** 2700K-3000K-3500K-4000K-5000K  
Changeable

**5 CCT**  
CHANGEABLE

**3"**



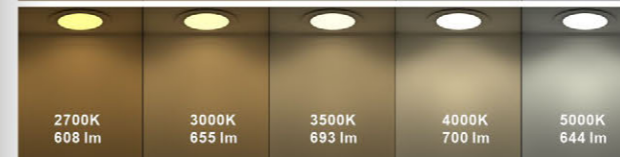
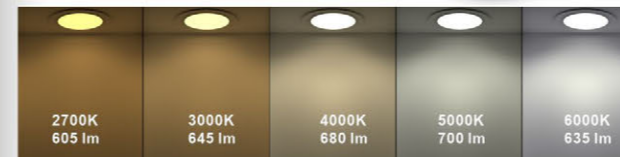
**3" Slim Panel Downlight**

- Model NO. : NX-3ES03-5CCT
- Specification : AC120V; 50/60Hz; 6W
- Working Temp : -4(°F) ~ +122(°F)
- Power Factor : >0.90
- CRI(ra) : >90
- Color : White Color
- Light Source : SMD2835 Chip
- Lumen : 380 LM
- Cable : Fire rated 20 Mins FT4 cable
- Life Time : 50000 hrs
- Beam Angle : 120°
- Product Size : D (3.62 inch)\* H (0.39 inch)
- Cut Out : 3.07 inch
- IP : Suitable for wet location
- Application : Home, Shop, Hotel
- Warranty : 5 years
- Standard : ETL
- Dimmable : Triac Dimming

**Color Temperature:** 2700K-3000K-3500K-4000K-5000K  
Changeable

**5 CCT**  
CHANGEABLE

**4"**



**4" Slim Panel Downlight**

- Model NO. : NX-4ES04-5CCT
- Specification : AC120V; 50/60Hz; 9W
- Working Temp : -4(°F) ~ +122(°F)
- Power Factor : >0.90
- CRI(ra) : >90
- Color : White Color / Black Color
- Light Source : SMD2835 Chip
- Lumen : 700 LM
- Cable : Fire rated 20 Mins FT4 cable
- Life Time : 50000 hrs
- Beam Angle : 120°
- Product Size : D (4.92 inch)\* H (0.39 inch)
- Cut Out : 4.3 inch
- IP : Suitable for wet location
- Application : Home, Shop, Hotel
- Warranty : 5 years
- Standard : ETL, ES
- Dimmable : Triac Dimming

**Color Temperature:** 2700K-3000K-4000K-5000K-6000K  
2700K-3000K-3500K-4000K-5000K  
Changeable

**5 CCT**  
CHANGEABLE

**6"**



**6" Slim Panel Downlight**

- Model NO. : NX-6ES06-5CCT
  - Specification : AC120V; 50/60Hz; 12W
  - Working Temp : -4(°F) ~ +122(°F)
  - Power Factor : >0.90
  - CRI(ra) : >90
  - Color : White Color
  - Light Source : SMD2835 Chip
  - Lumen : 1000 LM
  - Cable : Fire rated 20 Mins FT4 cable
  - Life Time : 50000 hrs
  - Beam Angle : 120°
  - Product Size : D (6.89 inch)\* H (0.39 inch)
  - Cut Out : 6.3 inch
  - IP : Suitable for wet location
  - Application : Home, Shop, Hotel
  - Warranty : 5 years
  - Standard : ETL
  - Dimmable : Triac Dimming
- Color Temperature:** 2700K-3000K-3500K-4000K-5000K  
Changeable

**3 CCT**  
CHANGEABLE

**4"**



**Square Gimbal LED Slim Panel Light**

- Model NO. : NX-EGLS-9W-3CCT
  - Specification : AC120V; 50/60Hz; 230mA; 9W
  - Working Temp : -20-50(°C)
  - Power Factor : >=0.9
  - CRI(ra) : >=80
  - Color : White Color
  - Light Source : SMD2835
  - Lumen : 750 lm
  - Life Time : 50000 hrs
  - Beam Angle : 36°
  - Adjustable Angle : 30°
  - Product Size : D5\*H1 inch ( D125mm\*H24mm)
  - Cut Out : 4-1/4 inch
  - IP : IP35
  - Application : Home, Shop, Hotel
  - Warranty : 5 years
  - Standard : ETL
- Color Temperature:** 3000K-4000K-5000K (Changeable)

**5 CCT**  
CHANGEABLE

**4"**

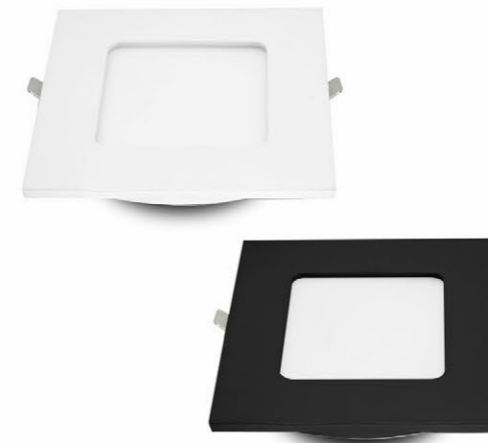


**4" Square Slim Panel Downlight**

- Model NO. : NX-4ES04-9W-5CCT-SW / NX-4ES04-9W-5CCT-SB
  - Specification : AC120V; 50/60Hz; 9W
  - Working Temp : -4(°F) ~ +122(°F)
  - Power Factor : >0.90
  - CRI(ra) : >90
  - Color : White Color / Black Color
  - Light Source : SMD2835 Chip
  - Lumen : 600 LM
  - Cable : Fire rated 20 Mins FT4 cable
  - Life Time : 50000 hrs
  - Beam Angle : 120°
  - Product Size : D (4.96 inch)\* H (0.49 inch)
  - Cut Out : 4.3 inch
  - IP : Suitable for wet location
  - Application : Home, Shop, Hotel
  - Warranty : 5 years
  - Standard : ETL
  - Dimmable : Triac Dimming
- Color Temperature:** 2700K-3000K-3500K-4000K-5000K  
Changeable

**5 CCT**  
CHANGEABLE

**6"**



**6" Square Slim Panel Downlight**

- Model NO. : NX-6ES06-12W-5CCT-SW / NX-6ES06-12W-5CCT-SB
  - Specification : AC120V; 50/60Hz; 12W
  - Working Temp : -4(°F) ~ +122(°F)
  - Power Factor : >0.90
  - CRI(ra) : >90
  - Color : White Color / Black Color
  - Light Source : SMD2835 Chip
  - Lumen : 900 LM
  - Cable : Fire rated 20 Mins FT4 cable
  - Life Time : 50000 hrs
  - Beam Angle : 120°
  - Product Size : D (6.93 inch)\* H (0.49 inch)
  - Cut Out : 6.3 inch
  - IP : Suitable for wet location
  - Application : Home, Shop, Hotel
  - Warranty : 5 years
  - Standard : ETL
  - Dimmable : Triac Dimming
- Color Temperature:** 2700K-3000K-3500K-4000K-5000K  
Changeable

**3 CCT CHANGEABLE** **11"** **14"** **16"**



**LED Ceiling Light**

| Model        | Watt | PF   | Size    | Lumen   |
|--------------|------|------|---------|---------|
| NXFMDR11-18W | 18W  | >0.9 | 11 inch | 1300 LM |
| NXFMDR14-26W | 26W  | >0.9 | 14 inch | 1850 LM |
| NXFMDR16-33W | 33W  | >0.9 | 16 inch | 2300 LM |

- Specification : AC120V; 18W / 26W / 33W
- Working Temp : -20~+50(°C)
- CRI(ra) : >80
- Color : White Color
- Light Source : Sanan Chip
- Life Time : 50000 hrs
- Beam Angle : 120°
- IP : Dry Location, Damp Location
- Application : Home, Shop, Hotel
- Warranty : 5 Years
- Standard : ETL, ES

**Color Temperature:** 3000K-4000K-5000K  
(Changeable Dimmable)

**3 CCT CHANGEABLE** **8"**



**Surface LED Downlight**

- Model NO. : NX-USDLA100-14.2W-D
- Rated Wattage : 14.2W
- Voltage : AC120V
- Frequency: 60Hz
- Operating Temp : -20°C~45°C
- Power Factor : ≥0.9
- CRI(ra) : ≥80
- Body Color : White color
- Light Source : SMD2835
- Lumen : 1150 lm±5%
- Life Time : 50000 hrs
- Beam Angle : 90°
- Product Size : 7.91"\*1.65"
- IP : Wet location
- Warranty : 5 Years
- Standard : cULus, ENERGY STAR, RoHS

**Color Temperature:** 3000K ● 4000K ● 5000K ○

**3 CCT CHANGEABLE** **4"** **6"**



**3CCT LED Disk light**

| Model           | Watt | Product Size   | Cut Out | Lumen        |
|-----------------|------|----------------|---------|--------------|
| NXSM4D-10W-3CCT | 10W  | Φ5.2*3 inch    | 4 inch  | 600~700 LM   |
| NXSM6D-18W-3CCT | 18W  | Φ7.4*3.03 inch | 6 inch  | 1080~1260 LM |

- Specification : AC120V; 50/60Hz
- Working Temp : -20~25(°C)
- Power Factor : >0.9
- CRI(ra) : >90
- Color : White Color
- Material : Aluminum+PC
- Light Source : SMD 2835 Chip
- Life Time : 30000 hrs
- Beam Angle : >90°
- Environment: Dry Location; Damp Location
- Application : Home, Shop, Hotel...
- Warranty : 5 years
- Standard : ETL

**Color Temperature:** 3000K-4000K-5000K (Changeable)

**3 CCT CHANGEABLE** **4"** **6"**



**Sensor Downlight**

| Model       | Watt | Size              | Lumen        |
|-------------|------|-------------------|--------------|
| NXSM4DS-10W | 10W  | 4 inch (140x48mm) | 600~700 LM   |
| NXSM6DS-18W | 18W  | 6 inch (190x48mm) | 1080~1260 LM |

- Function: Adjustable CCT +PIR sensor
- Voltage: 120V 50/60Hz
- Working Temp: -20~+45(°C)
- CRI: >90
- Light Efficiency: 60-70 LM/W
- Source : SMD2835
- Detection distance: 8m
- Beam Angle: >90
- LED Q'ty: 30pcs
- Cover Type: Transparent PC
- Color: White
- Applicable : Dry Location, Damp Location
- Standard : ETL

**Color Temperature:** 3000K-4000K-5000K (Changeable)

**3 CCT**  
CHANGEABLE



**LED Vanity Light**

- Model NO. : NX-VLSL-2F-25W
- Specification : 120V AC; 50/60Hz; 25W
- Working Temp : -20~ 45(°C)
- Power Factor : >0.95
- CRI(ra) : >80
- Color : Brushed Nickel
- Material : Stainless Steel
- Light Source : LED 2835
- Lumen : 2000 LM
- Life Time : 50000 Hours
- Beam Angle : >120°
- Product Size : 23.62\*5.98\*4.02inch
- IP : IP44, Damp Location
- Application : washroom
- Warranty : 5 years warranty
- Standard : ETL /CETL listed
- Triac Dimmable : 100%-10%

**Color Temperature:** 3000K-4000K-5000K (Changeable )



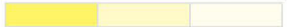
**3 CCT**  
CHANGEABLE



**LED Vanity Light**

- Model NO. : NX-VLDR-2F-25W
- Specification : 120V AC; 50/60Hz; 25W
- Working Temp : -20~ 45(°C)
- Power Factor : >0.95
- CRI(ra) : >80
- Color : Brushed Nickel
- Material : Stainless Steel
- Light Source : LED 2835
- Lumen : 2000 LM
- Life Time : 50000 Hours
- Beam Angle : >120°
- Product Size : 24.67\*4.43\*3.79inch
- IP : IP44, Damp Location
- Application : washroom
- Warranty : 5 years warranty
- Standard : ETL /CETL listed
- Triac Dimmable : 100%-10%

**Color Temperature:** 3000K-4000K-5000K (Changeable )



**COB**  
STRIP LIGHT



| COB Strip Light         |       |           |            |                            |
|-------------------------|-------|-----------|------------|----------------------------|
| Model                   | Watt  | Size      | Cut Length | IP                         |
| NX-05COB504-6W-xK-IPxx  | 6W/M  | 5000*5mm  | 13.89 mm   | IP20/ IP 65                |
| NX-08COB336-8W-xK-IPxx  | 8W/M  | 5000*8mm  | 62.5 mm    | IP20/ IP 54/<br>IP65/ IP67 |
| NX-10COB504-12W-xK-IPxx | 12W/M | 5000*10mm | 41.66 mm   | IP20/ IP 54/<br>IP65/ IP67 |

- Specification : DC24V
- Working Temp : -20~+50(°C)
- CRI(ra) : >90
- Color : White Color
- Light Source : Sanan COB Chip
- Lumen : 90~100 LM/W
- Life Time : 50000 hrs
- Beam Angle : 120°
- Application : Residential lighting, decorative lighting; Home, Shop, Hotel.
- Warranty : 2 years
- Standard : UL

**Color Temperature:** 3000K ● 4000K ● 5000K ●





**Smart LED  
RGBCW**

**Smart LED RGBCW Strip Light**

- Model No. : NX10RGBCW-3.6WM
- Specification : DC12V,18W (3.6Wx5M)
- Working Temp : -20~+50(°C)
- CRI(ra) : >80
- Body Color : White
- Light Source : SMD 5050 RGB,300 Chips
- Life Time : 30000 hrs
- Beam Angle : 120 degrees
- Product Size : 5000\*10mm, 5meter/Roll
- Cutting Length: 50 mm
- IP : IP65
- Application : Home, Shop, Hotel
- Warranty : 2 years
- Standard : FCC
- Color Temp : RGBCW+16 Million colors
- Enabled : Wifi+Bluetooth
- Dimmable : YES

**Color Temperature:** RGBCW+16 Million colors



**Smart COB RGBCW Strip Light**

- Model NO. : NX-12COB-16WM-RGBCW
- Input : AC100-240V; 50/60Hz
- Output : DC24V; 16W/M
- Working Temp : -20~+45(°C)
- Body Color : White Color
- Light Source : COB , 560 Chips
- Life Time : 25000 hrs
- Beam Angle : 120°
- Product Size : 5000 \* 12 mm ; 5 meter / Roll
- Cutting Length: 62.5 mm
- IP : IP20
- Application : Home, Shop, Hotel...etc
- Warranty : 2 years
- Standard : ETL
- Enabled : Wifi + Bluetooth

**Color Temperature:** RGB+3000K+6000K





12"



### Smart 12 inch Slim Flush Mount

- Model NO. : NX-FMDR12-RGBCW
- Specification : AC120V,60Hz;170mA;15W
- Working Temp : -20~+40(°C)
- Power Factor : 0.70
- CRI(ra) : >80
- Color : Brushed Nickel
- Light Source : San'an SMD Chip
- Lumen : 1200 lm
- Life Time : 50000 hrs
- Beam Angle : 120°
- Product Size : 12 inch
- IP : Damp Location
- Application : Home, Shop, Hotel...
- Warranty : 5 years
- Standard : ETL
- Dimmable : 5%~100% dimming

Color Temperature: RGB+(2700 ~ 6500K)



4"



### 4"Smart LED Gimbal Downlight

- Model NO. : NXW504WE1WH-10
- Specification : AC120V,60Hz;92mA;10W
- Working Temp : -20~+40(°C)
- Power Factor : 0.9
- CRI(ra) : >80
- Body Color : White
- Light Source : San'an SMD Chip
- Lumen : 800 lm
- Life Time : 35000 hrs
- Beam Angle : 40°
- Adjustable Angle: 360°
- Product Size : 4 inch
- Cut Out : 108mm~110mm
- IP : Damp Location
- Application : Home, Shop, Hotel
- Warranty : 5 years
- Standard : ETL
- Dimmable : 5%~10% dimming

Color Temperature: RGB+(2700 ~ 6500K)



### LED Smart Wifi Rgbcw Slim Panel

- Model NO. : NXR304WE1WH-10
- Specification : AC120V; 60Hz; 104mA; 10W
- Working Temp : -20~+45(°C)
- Power Factor : >0.9
- CRI(ra) : >80
- Color : White Finish
- Light Source : San'an SMD Chip
- Lumen : 600 lm
- Life Time : 35000 hrs
- Beam Angle : 120°
- Product Size : 4 inch
- Cut Out Size : 4.25 inch
- IP : IP20
- Application : Suitable for damp location; Home, Shop, Hotel, etc.
- Warranty : 5 years
- Standard : ETL
- Dimmable : 5%~100% dimming

Color Temperature: RGB+(2700 ~ 6500K)

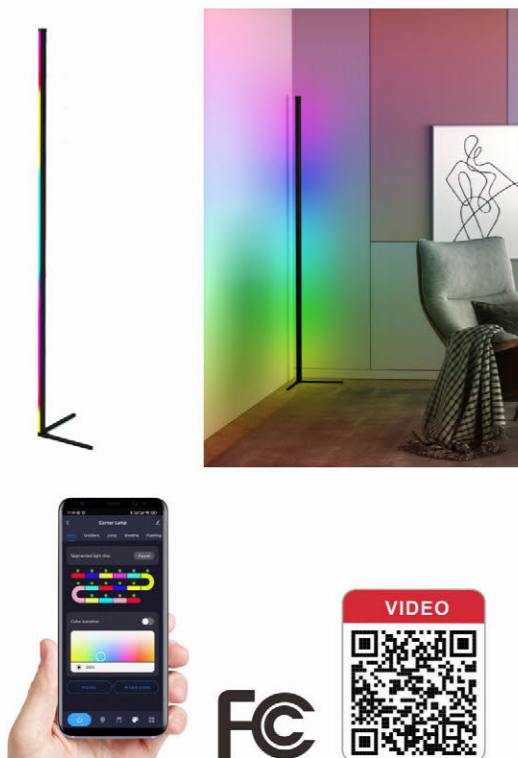


### Smart Light Bar

- Model NO. : NX-PDL-12W-RGBCW
- Specification : AC100-240V; 12W
- Working Temp : -20~+40°C (-4°F to 104°F)
- Color : Black Color
- Material : PC
- Light Source : LED
- Life Time : 25,000 hrs
- Beam Angle : 120°
- Product Size : 3.46 x 2.28 x 11.22 inch
- IP : IP20
- Application : Bedroom, Living Room, Gaming Room, Party Decor
- Warranty : 25,000 hrs
- Standard : FCC
- Compatibility : Tuya Smart, Siri
- Max Colors : 16.7 Million
- Control Mode: Bluetooth + Wifi ( 2.4GHz )

Color Temperature: RGB+(2700 ~ 6500K)





### Smart Corner Lamp

- Model NO. : NX-PCL-18W-RGBCW
- Specification : AC100-240V; 18W
- Working Temp : -20~+40°C( -4°F to 104°F)
- Color : Black Color
- Material : Aluminum + PC
- Light Source : LED
- Life Time : 25,000 hrs
- Beam Angle : 120°
- Product Size : 60 x 17 x 9 inch
- IP : IP20
- Application : Bedroom, Living Room, Gaming Room, Party Decor...etc
- Warranty : 25,000 hrs
- Standard : FCC
- Compatibility : Tuya Smart, Siri
- Max Colors : 16.7 Million
- Control Mode: Bluetooth + Wifi ( 2.4GHz )

**Color Temperature:** RGB+(2700 ~ 6500K)

### Smart LED Landscape Light

- Quantity : 4 PCS
- Model NO. : NX-SRGBFL4-24W
- Power Input : AC100-240V;400mA, 24W
- Working Temp : -20~+45(°C)
- Power Factor : 0.5
- CRI(ra) : >80
- Color : Black shell+White glass
- Light Source : SMD 2835
- Lumen : 600 lm\*4
- Life Time : 50000 hrs
- Beam Angle : 110°
- Adjustable Angle: 270°
- Product Size : 135.4\*35.8\*284.6mm(Single light)
- IP : IP65 (Adaptor IP44)
- Application : Landscape,park,villa,lawn,garden,wall,etc
- Warranty : 5 years
- Standard : ETL FCC
- Control Mode: Wifi + Bluetooth

**Color Temperature:** RGB+3000 K



### Smart Flood Light

- |               |             |             |
|---------------|-------------|-------------|
| ● Model NO. : | NXSFR-15W-K | NXSFR-15W-Y |
|               | NXSFR-50W-K | NXSFR-50W-Y |
- Specification : AC100-277V ; 50/60Hz; 15W / 50W
  - Working Temp : -20~+50(°C)
  - Power Factor : >0.9
  - CRI(ra) : >80
  - Color : Brown Color
  - Material : High thermal conductivity aluminum alloy + Clear lens
  - Light Source : SMD3030+SMD5050
  - Lumen : 1350-1500lm / 4500-5000 lm
  - Life Time : 30000 hrs
  - Beam Angle : 90X120°
  - Product Size : 4.72\*3.74\*1.69 inch / 8.66\*6.06\*2.2 inch
  - IP : IP65
  - Application : Home, Outdoor garden , Yard,
  - Warranty : 5 years
  - Standard : ETL
  - Installation Method: Knuckle / Bracket

**Color Temperature:** 3000K~5700K+RGB

### Smart Camera Square Security Light

- Model NO. : NX-SLWSS-25W
- Specification : AC100-277V ; 50/60Hz; 25W
- Working Temp : -20~+45(°C)
- Power Factor : >0.9
- CRI(ra) : >80
- Color : White Color
- Material : High thermal conductivity aluminum alloy + Transparent PC
- Light Source : SMD2835
- Lumen : 2250-2500 lm
- Life Time : 30000 hrs
- Beam Angle : 100°
- Product Size : 10.02\*7.43\*7.57inch
- IP : IP65
- Application : Garden, yard, garages, workshops, industrial workstations, storage rooms, equipment rooms
- Warranty : 5 years
- Standard : ETL

**Color Temperature:** 3000K ~ 5700K



**SENSOR**  
SECURITY LIGHT

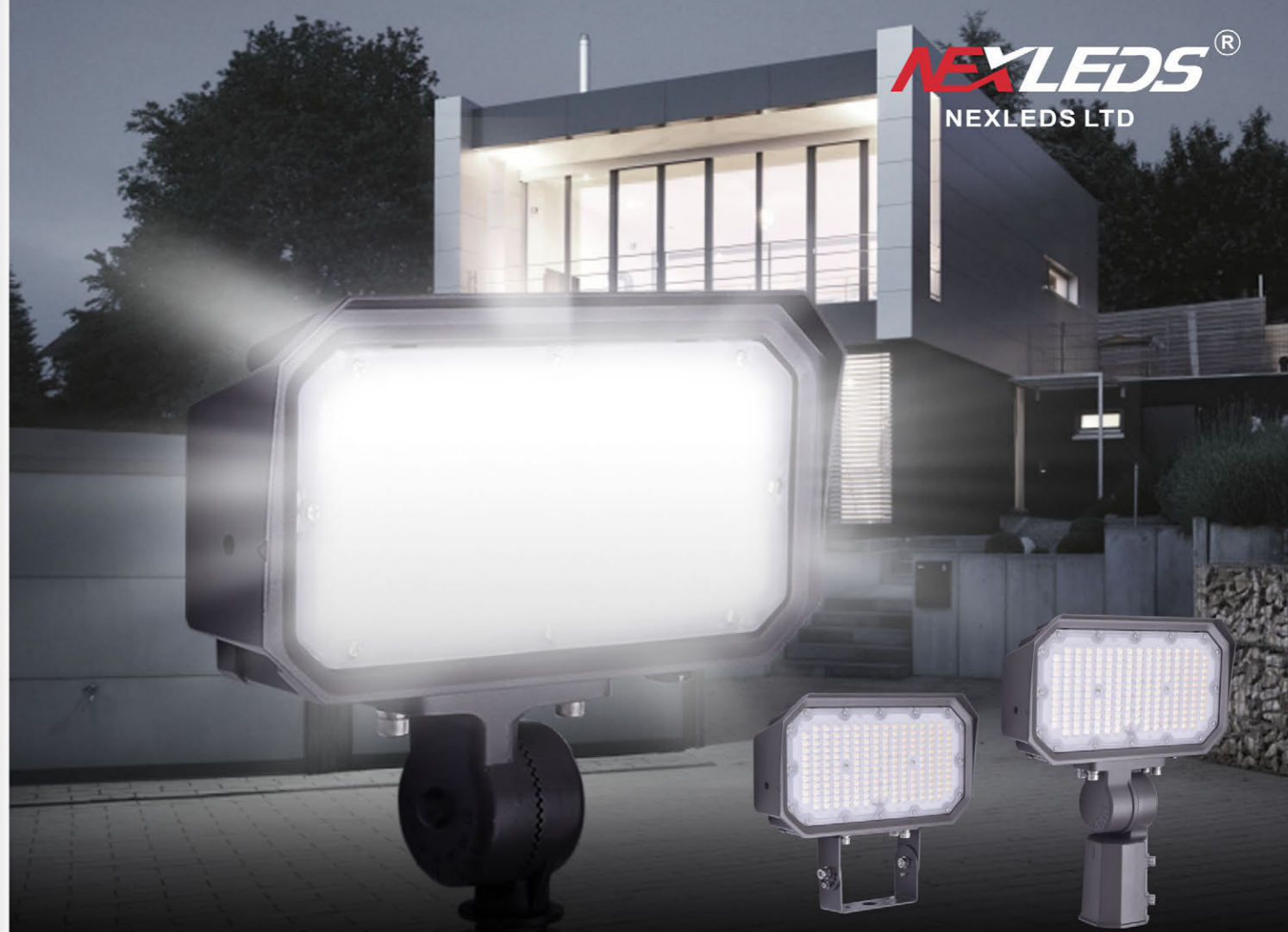


**3 CCT**  
CHANGEABLE

**3CCT LED Security Light**

- Model NO.: NX-SLWS-20W-W3C / NX-SLWS-20W-B3C
- Specification: AC120V; 50/60Hz; 20W
- Working Temp: -20~45(°C)
- Power Factor : >0.9
- CRI(ra) : >80
- Color : White Color / Black Color
- Material : Aluminum+PC
- Light Source : SMD 2835 Chip
- Lumen : 1800~2000 lm
- Life Time : 30000 hrs
- Beam Angle : 100°
- Sensor Angle: 270°
- Product Size : 9.9\*6.7\*6.6 inch (251\*171\*168mm)
- Environment : Wet Location
- Application : Courtyards, Garages, Driveways, Gardens
- Warranty : 5 years
- Standard : ETL

**Color Temperature: 3000K-4000K-5000K (Changeable)**



**3 CCT**  
CHANGEABLE

**3CCT LED Flood Light**

|                            |                        |                    |
|----------------------------|------------------------|--------------------|
| NX-SFLL13-30W-H-MV-TCP(XX) | 30W-20W-15W;<br>275 mA | 7.58*6.91*2.26inch |
| NX-SFLL35-50W-H-MV-TCP(XX) | 50W-40W-30W<br>458 mA  | 8.99*8.58*2.42inch |

- Specification : AC120-347V; 50/60Hz;
- Working Temp : -40~45(°C)
- Power Factor : 0.9
- CRI(ra) : >80
- Color : Bronze Color
- Light Source : SMD2835
- Lumen : 130LM/W
- Life Time : 50000 hrs
- Beam Angle : 7H6V
- IP : IP65
- Application : Highway ,tunnel .etc
- Warranty : 5 years
- Standard : UL

**Color Temperature: 3000K-4000K-5000K (Changeable)**





### LED Area Light

| Model           | Watt | Rated Current | Size                 |
|-----------------|------|---------------|----------------------|
| NX-MFLH-100W-DV | 100W | 1.1 A         | 15.36x12.68x2.42inch |
| NX-MFLH-150W-DV | 150W | 1.65A         |                      |
| NX-MFLH-200W-DV | 200W | 2.2 A         | 17.06x12.68x2.42inch |
| NX-MFLH-240W-DV | 240W | 2.64A         | 25.27x12.68x2.42inch |
| NX-MFLH-300W-DV | 300W | 3.3 A         |                      |

- Input Voltage : AC120-347V
- Working Temp : -40 ~ +45(°C)
- Power Factor : >0.90
- CRI(ra) : >80
- Color : Brown
- Light Source : LUMILEDS
- Lumen : 130 lm /W
- Life Time : 50000 hrs
- Beam Angle : TYPE III-M
- IP : IP65
- Application : Building exterior, Parking lot...etc
- Warranty : 5 years
- Standard : cUL, DLC

Color Temperature: 3000K ● 4000K ● 5000K ○

**3 CCT**  
CHANGEABLE



### 3CCT LED UFO Highbay

| Model                                | Watt           | Current |
|--------------------------------------|----------------|---------|
| NX-UHBS7-200/150/100W-H-MV-TCP(XX)-Y | 200W-150W-100W | 1833mA  |
| NX-UHBS7-240/200/150W-H-MV-TCP(XX)-Y | 240W-200W-150W | 2200mA  |

- Specification : AC120-347V ; 50/60Hz;
- Working Temp : -40~+45(°C)
- Power Factor : 0.9
- CRI(ra) : >80
- Color : Black Color
- Light Source : Luminus SMD2835
- Lumen : 140 LM/W
- Life Time : 50000 hrs
- Beam Angle : 80°
- Product Size : 13.31x5.02 inch
- IP : IP65
- Application : Warehouse, Factory, work shop and so on
- Warranty : 5 years
- Standard : UL
- Optional : Sensor

Color Temperature: 3500K-4000K-5000K (Changeable)

**3 CCT**  
CHANGEABLE



Sensor optional



**3 CCT**  
CHANGEABLE



### LED Canopy Light

- Model NO.: NX-GPS4-80/60/40W-H-MV-TCP(XX)-Y
- Specification : AC120-347V; 50/60Hz; 733mA; 80/60/40W
- Working Temp : -40~45(°C)
- Power Factor : 0.9
- CRI(ra) : >80
- Color : Brown color
- Light Source : Luminus SMD2835
- Lumen : 130LM/W
- Life Time : 50000 hrs
- Beam Angle : 150°
- Product Size : 10.06\*10.06\*2.73 inch
- IP : IP65
- Application : Garage, loading areas, drive-through...
- Warranty : 5 years
- Standard : UL
- Optional : Sensor

Color Temperature: 3500K-4000K-5000K (Changeable)

### LED Canopy Light

- Model NO.: NX-SCL-50W-CS
- Specification : AC120-347V; 50/60Hz; 500mA 50W- 40W-30W Changeable
- Working Temp : -40~+45(°C)
- Power Factor : >0.9
- CRI(ra) : >70
- Color : Dark Bronze
- Material : Die-casting Aluminum
- Light Source : Lumileds2835
- Lumen : 130 LM / W
- Life Time : 50000 hrs
- Beam Angle : 160°
- Product Size : 9.56x9.56x3.46 inch
- IP : IP65
- Application : Gas stations, parking garages, loading areas, drive-through...etc
- Warranty : 5 years
- Standard : UL, c UL, DLC

Color Temperature: 3000K-4000K-5000K (Changeable)

**3 CCT**  
CHANGEABLE



| LED Wall Pack          |                            |         |
|------------------------|----------------------------|---------|
| Model                  | Watt                       | Current |
| NX-OWWP3-75W-DV-3C-3W  | 75W-60W-45W<br>Changeable  | 700mA   |
| NX-OWWP3-120W-DV-3C-3W | 120W-96W-72W<br>Changeable | 1100mA  |

- Specification : AC120-347V; 50/60Hz;
- Working Temp : -40~+45(°C)
- Power Factor : >0.9
- CRI(ra) : >70
- Color : Dark Bronze
- Material : Die-casting Aluminum
- Light Source : Lumileds2835
- Lumen : 130 LM / W
- Life Time : 50000 hrs
- Beam Angle : 90°
- Product Size : 14x8.9x4.76 inch
- IP : IP65
- Application : General outdoor security lighting, pathways, loading docks, perimeters and etc.
- Warranty : 5 years
- Standard : UL, c UL, DLC, FCC

Color Temperature: 3000K-4000K-5000K (Changeable)

### Adjustable LED Wall Pack

- Model NO.: NX-FCWW-75WCS
- Specification : AC120-347V; 50/60Hz; 900mA; 75W-60W-45W Changeable
- Working Temp : -40~+50(°C)
- Power Factor : >0.9
- CRI(ra) : >80
- Color : Dark Bronze
- Material : Die-casting Aluminum
- Light Source : Lumileds2835
- Lumen : 130 LM/W
- Life Time : 50000 hrs
- Beam Angle : 90°
- Adjustable Angle: 0-90°
- Product Size : 10.89x8.50x4.86 inch
- IP : IP65
- Application : General outdoor security lighting, pathways, loading docks, perimeters, etc
- Warranty : 5 years
- Standard : UL, cUL, DLC, FCC

Color Temperature: 3000K-4000K-5000K (Changeable)

**3 CCT**  
CHANGEABLE



### LED Wall Park

- Model NO.: NX-OWP04-40W-DV NX-OWP06-60W-DV  
NX-OWP08-80W-DV NX-OWP10-100W-DV  
NX-OWP12-120W-DV
- Specification : AC120-347V;  
40W / 60W / 80W / 100W / 120W
- Working Temp : -40 ~ +45(°C)
- Power Factor : >0.90
- CRI(ra) : >80
- Color : Brown
- Light Source : 2835 SMD
- Lumen : 5200 lm
- Life Time : 50000 hrs
- Beam Angle : 90°x100°
- Product Size : 13.12x9.88x5.22inch
- IP : IP65
- Application : corridor, building exterior...etc
- Warranty : 5 years
- Standard : cUL, DLC

Color Temperature: 3000K ● 4000K ● 5000K ○



### LED Barn / Yard Light

| Item Number | Wattage | Lumen  |
|-------------|---------|--------|
| NX-YD-42W   | 42W     | 4600lm |
| NX-YD-58W   | 58W     | 6400lm |

- Voltage 100-277V AC
- Power Factor >0.95
- CRI Ra>80
- LED Chips Philips
- IP Rated IP65
- Life Span >50000Hrs

Color Temperature: 3000K ● 4000K ● 5000K ○ 5700K ○





### RGBCW Landscape Well Light

- Model NO. : NX-WL045W-BR-3CCTRGB
- Specification : AC/DC 12-24V; 5W
- Working Temp : -20~50(°C)
- Power Factor : 0.95
- CRI(ra) : >90
- Color : ORB Color (Oil Bronze )
- Material : Aluminum Housing
- Light Source : SMD3030
- Lumen : 480 lm
- Life Time : 50000 hrs
- Beam Angle : 60°
- Product Size : 85.9\*102mm
- IP : IP67
- Application : Home, Patio, Garden, Yard
- Warranty : 3 years
- Standard : ETL/FCC

Color Temperature: RGB+CW



7" 12"



### RGBCW LED Hardscape Paver Light

|         | Model              | Watt | Size            |
|---------|--------------------|------|-----------------|
| 7 inch  | NX0705W-BR-3CCTRGB | 5W   | 175*74.9*23.1mm |
| 12 inch | NX1207W-BR-3CCTRGB | 7W   | 305*74.9*23.1mm |

- Specification : AC/DC-12-15V;
- Working Temp : -20~+50(°C)
- Power Factor : 0.95
- CRI(ra) : >90
- Color : Bronze Color
- Material : Aluminum Housing and stainless mounting plate
- Light Source : SMD 2835+3030
- Lumen : 40 LM/W
- Life Time : 50000 hrs
- Beam Angle : 90°
- Swirl Angle : 360°
- IP : IP65
- Application : Home, Patio, Garden, Yard
- Warranty : 3 years
- Standard : ETL, FCC

Color Temperature: RGB+CW



### RGBCW LED Bullet Spot Light

- Model NO. : NX-B1307W-BR-3CCTRGB
- Specification : AC/DC 12-24V; 5W
- Working Temp : -20~50(°C)
- Power Factor : 0.95
- CRI(ra) : >90
- Color : Black Color
- Material : Aluminum Housing
- Light Source : SMD3030
- Lumen : 450 lm
- Life Time : 50000 hrs
- Beam Angle : 30°
- Product Size : 160.45\*65.69\*57mm
- IP : IP65
- Application : Home, Patio, Garden, Yard
- Warranty : 3 years
- Standard : ETL/FCC

Color Temperature: RGB+CW

3 CCT  
CHANGEABLE



### 3CCT LED Step Light

- Model NO. : NX-ST113W-3CCT
- Specification : AC 120V; 3W
- Working Temp : -20~50(°C)
- Power Factor : 0.95
- CRI(ra) : >90
- Color : White
- Material : Aluminum Housing
- Light Source : SMD2835
- Lumen : 110 lm
- Life Time : 50000 hrs
- Beam Angle : 60°
- Product Size : 120\*73\*41.5mm
- IP : IP65
- Application : Home, Patio, Garden, Yard...
- Warranty : 3 years
- Standard : ETL/FCC
- Dimmable : Yes

Color Temperature: 3000K-4000K-5000K (Adjustable)

# LED BACKLIT PANEL LIGHT

## LED Backlit Panel Light

| Model                | Watt                      | Voltage                | Size       |
|----------------------|---------------------------|------------------------|------------|
| NXLPE2X4-50W-3CCT-DV | 30W-40W-50W<br>Changeable | AC120-277V;<br>50/60Hz | 1212*603mm |
| NXLPE2X2-40W-3CCT-DV | 25W-30W-40W<br>Changeable | AC120-347V;<br>50/60Hz | 603*603mm  |
| NXLPE1X4-40W-3CCT-DV | 25W-30W-40W<br>Changeable | AC120-347V;<br>50/60Hz | 1212*302mm |

- Working Temp : -20~45(°C)
- Power Factor : 0.9
- CRI(ra) : >80
- Color : White color
- Light Source : Luminus SMD2835
- Lumen : 125LM/W
- Life Time : 50000 hrs
- Beam Angle : 120°
- IP : IP40
- Application : Perfect application for retail stores, schools, offices, markets and restaurant
- Warranty : 5 years
- Standard : ETL
- Dimmable : 0~10V Dimming

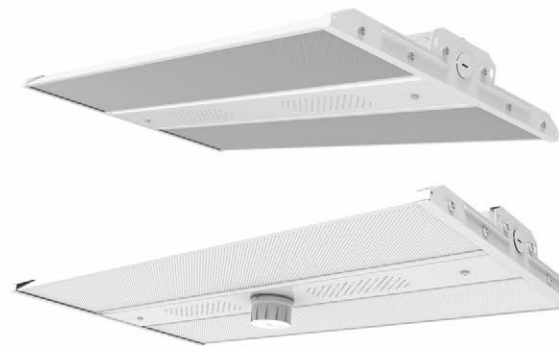
**Color Temperature:** 3500K-4000K-5000K (Changeable)



**3 CCT  
CHANGEABLE**



**3 CCT  
CHANGEABLE**



**3 CCT  
CHANGEABLE**

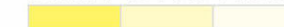


## 3CCT LED Linear High Bay

| Model                                   | Watt / Current            | Size                     |
|---|---------------------------|--------------------------|
| NX-LHBS6-L3-165/110/80W-H-MV-TCP(XX)-Y  | 165W-110W-80W;<br>1510mA  | 23.62*11.81*1.87<br>inch |
| NX-LHBS6-L3-220/165/110W-H-MV-TCP(XX)-Y | 220W-165W-110W;<br>2017mA | 23.62*14.17*1.87<br>inch |

- Specification : AC120-347V; 50/60Hz
- Working Temp : -40~+40(°C)
- Power Factor : 0.9
- CRI(ra) : >80
- Color : White Color
- Light Source : Luminus SMD2835
- Lumen : 140 LM/W
- Life Time : 50000 hrs
- Beam Angle : 90°
- IP : IP42
- Application : Warehouse, indoor parking area, work shop...etc
- Warranty : 5 years
- Standard : UL
- Optional : Sensor

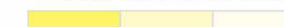
**Color Temperature:** 3500K-4000K-5000K (Changeable)



## 3CCT LED Linear

- Model NO. : NX-RALS435-40W
- Specification : 120VAC 50/60Hz , 40W
- Power Factor : >0.95
- CRI(ra) : >80
- Working Temp : -40~+80°C
- Storage Temp : -30~+45°C
- Material : Fe+PC
- Warranty : 50000Hrs
- Lumen : 100 lm/W
- Beam Angle : 120°
- Size : L47.40\* W5.31\*H1.77 inch
- IP : IP40
- Application : Suitable for damp location
- Warranty : 5 years
- Standard : DLC, ETL

**Color Temperature:** 3000K-4000K-5000K (Changeable)





# LED ARCHITECTURAL LINEAR LIGHT

**3 CCT**  
CHANGEABLE

| LED Architectural Linear Light |             |
|--------------------------------|-------------|
| Model                          | Watt        |
| NX-LLA4F-40W-H-MV-TCP(XX)      | 40W-32W-24W |
| NX-LLA4F-50W-H-MV-TCP(XX)      | 50W-40W-30W |

- Specification : AC120-347V; 50/60Hz;
- Working Temp : -20~45(°C)
- Power Factor : 0.9
- CRI(ra) : >80
- Color : White color / Black color / Silver color
- Light Source : Luminus SMD2835
- Lumen : 110LM/W
- Life Time : 50000 hrs
- Beam Angle : 90°
- Size : 48\*2.76\*3.15 inch
- IP : IP44
- Application : Market, office
- Warranty : 5 years
- Standard : UL
- Installation: Mounting option

**Color Temperature:** 3500K-4000K-5000K (Changeable)



Accessories



## LED Strip Light

| Model                      | Watt / Current        | Size                 |
|----------------------------|-----------------------|----------------------|
| NX-LLS4F-40W-H-MV-TX(XX)-Y | 40W-32W-24W<br>367mA; | 46.66*2.91*3.25 inch |
| NX-LLS8F-64W-H-MV-TX(XX)-Y | 64W-50W-40W<br>587mA; | 95.98*2.91*3.25 inch |

- Specification : AC120-347V; 50/60Hz
- Working Temp : -20~45(°C)
- Power Factor : 0.9
- CRI(ra) : >80
- Color : White color
- Light Source : Luminus SMD2835
- Lumen : 130LM/W
- Life Time : 50000 hrs
- Beam Angle : 120°
- IP : IP44
- Application : Market, office... etc
- Warranty : 5 years
- Standard : UL

**Color Temperature:** 3500K-4000K-5000K (Changeable)

**3 CCT**  
CHANGEABLE



**3 CCT**  
CHANGEABLE



## LED Vapor Tight

- Model NO. : NX-CGCHV-44-3CTFP
- Specification : AC120-347V; 50/60Hz;  
1150mA; 32W-44W-50W
- Working Temp : -40~50(°C)
- Power Factor : 0.9
- CRI(ra) : >80
- Color : White Color
- Light Source : HongLi SMD Chip
- Lumen : 130 lm/W
- Life Time : 50000 hrs
- Beam Angle : 120°
- Product Size : 47.24\*4.92\*3.62 inch
- IP : IP66
- Application : Garages Workshops Car parks
- Warranty : 5 years
- Standard : ETL, DLC, NEMA4X
- Optional: Sensor

**Color Temperature:** 3000K-4000K-5000K (Changeable)





**DURATION**  
**90**  
mins

**Emergency Mini Bug-eye**

- Model NO. : NX-EMMBBU-1W
- Specification : AC120/AC277V; 60Hz; 0.1A; 1.6W
- Working Temp : 0~40(°C)
- CRI(ra) : >80
- Color : White Color
- Light Source : 2pcs SMD 3030
- Lumen : 100 LM
- Life Time : 50000 hrs
- Battery : Ni-CD battery (3.6V 900mAh)
- Self-powered: 90mins
- Product Size : 8.46\*3.94\*1.77 inch
- IP : Suitable for Damp Locations
- Application : Shop, Hotel ... etc
- Warranty : 5 years fixture, 2 years battery
- Standard : cUL
- Color Temperature: 6500K



**LED Emergency Light**

- Model NO. : NX-EMBU12140/5W
- Specification : AC120/347V; 50/60Hz; 2\*5W
- Remote Capacity: 140W
- Working Temp : 5~30(°C)
- Power Factor : 0.95
- CRI(ra) : >85
- Color : White Color
- Light Source : SMD
- Lumen : 780 Lm
- Life Time : 50000 hrs
- Battery : 120 mins
- Self-powered : Lead Acid Battery 12V 12AH
- Product Size : 13.5\*4.21\*12.52 inch
- IP : IP20
- Application : Shop, Hotel...etc
- Warranty : 5 years
- Standard : CUL

Color Temperature: 6500K ☉



**2x5W** **140W**  
Remote Capacity



**2x5W** **275W**  
Remote Capacity



**LED Emergency Light**

- Model NO. : NX-EMBU12275/5W
- Specification : AC120/347V; 50/60Hz; 2\*5W
- Remote Capacity: 275
- Working Temp : 5~30(°C)
- Power Factor : 0.95
- CRI(ra) : >85
- Color : White Color
- Light Source : SMD
- Lumen : 780 Lm
- Life Time : 50000 hrs
- Battery : Lead Acid Battery 2 \*12V 12AH
- Self-powered : 120 mins
- Product Size : 15.28\*4.21\*13.7 inch
- IP : IP20
- Application : Shop, Hotel...etc
- Warranty : 5 years
- Standard : CUL

Color Temperature: 6500K ☉



### LED Emergency Light

- Model No. : NX-EMBU636/5W
- Specification : AC120/347V; 50/60Hz; 2\*5W
- Working Temp : 5~30(°C)
- Power Factor : 0.95
- CRI(ra) : >85
- Color : White Color
- Light Source : SMD
- Lumen : 469 Lumens per head
- Life Time : 50000 hrs
- Battery : Lead acid battery 6V 6AH
- Self-powered : 90 mins
- Product Size : 11.73\*2.95\*9.76 inch
- IP : IP20
- Application : Shop, Hotel...etc
- Warranty : 5 years fixture, 3 years battery
- Standard : CSA

Color Temperature: 6500K ☉



### LED Emergency Light

- Model No. : NX-EMBU1272/5W
- Specification : AC120/347V; 50/60Hz; 2\*5W
- Working Temp : 5~30(°C)
- Power Factor : 0.95
- CRI(ra) : >85
- Color : White Color
- Light Source : SMD
- Lumen : 469 Lumens per head
- Life Time : 50000 hrs
- Battery : Lead Acid Battery 12V 7AH
- Self-powered : 90 mins
- Product Size : 12.2\*3.94\*11.42 inch
- IP : IP20
- Application : Shop, Hotel
- Warranty : 5 years fixture, 3 years battery
- Standard : CSA

Color Temperature: 6500K ☉



### LED Emergency Light Combo

- Model No. : NX-EMCUS636/5W
- Specification : AC120/347V; 50/60Hz; 2\*5W
- Working Temp : 5~30(°C)
- Power Factor : 0.95
- CRI(ra) : >85
- Color : White Color
- Light Source : SMD
- Lumen : 469 Lumens per head
- Life Time : 50000 hrs
- Battery : Lead Acid Battery 6V 6AH
- Self-powered : 90 mins
- Product Size : 12.99\*6.38\*11.02inch
- IP : IP20
- Application : Shop, Hotel ... etc
- Warranty : 5 years fixture, 3 years battery
- Standard : CSA

Color Temperature: 6500K ☉



### LED Exit Sign

- Model No. : NX-EMRMS
- Specification : AC120-347V; 50/60Hz; 1W
- Working Temp : 5~30(°C)
- Power Factor : 0.95
- CRI(ra) : >85
- Color : White Color
- Light Source : SMD
- Lumen : 90 Lm
- Life Time : 50000 hrs
- Battery : Ni-Cd battery 3.6V 1000mAH
- Self-powered : 120 mins
- Product Size : 12.36\*2.13\*7.48 inch
- IP : IP20
- Application : Shop, Hotel
- Warranty : 5 years fixture, 3 years battery
- Standard : CSA

Color Temperature: 6500K ☉



### LED Edge-lit Exit Sign

- Model No. : NX-EMRMEPB
- Specification : AC120-347V; 50/60Hz; 1W
- Working Temp : 5~30(°C)
- Power Factor : 0.95
- CRI(ra) : >85
- Color : Black Color
- Light Source : SMD
- Lumen : 80 Lm
- Life Time : 50000 hrs
- Battery : Ni-Cd Battery 3.6V 800MAH
- Self-powered : 120 mins
- Product Size : 11.06\*1.61\*9.53 inch
- IP : IP20
- Application : Shop, Hotel
- Warranty : 5 years fixture, 3 years battery
- Standard : CSA

Color Temperature: 6500K ☉



2X1.2W



### LED Emergency Light Combo (Running Man Sign)

- Model NO. : NX-EMRMCUP
- Specification : AC120-347V; 60Hz; 80mA; 4.5W
- Working Temp : 0~40(°C)
- CRI(ra) : >80
- Color : White Color
- Light Source : SMD
- Life Time : 50000 hrs
- Battery : Ni-CD battery (3.6V 1800mAh)
- Self-powered: 120mins
- Product Size : 13.58\*2.32\*9.05 inch
- IP : Suitable for Damp Locations
- Application : Shop, Hotel ... etc
- Warranty : 5 years fixture, 2 years battery.
- Standard : cUL

Color Temperature: 6500K ☉



2X2.4W



### High Output LED Emergency Light Combo (Running Man Sign)

- Model NO. : NX-EMRMCUPHO
- Specification : AC120-347V; 60Hz; 80mA; 4.5W
- Working Temp : 0~40(°C)
- CRI(ra) : >80
- Color : White Color
- Light Source : Super Bright SMD LED
- Life Time : 50000 hrs
- Battery : Ni-MH battery (3.6V 3600mAh)
- Self-powered: 120mins
- Product Size : 13.58\*2.32\*9.84 inch
- IP : Suitable for Damp Locations
- Application : Shop, Hotel ... etc
- Warranty : 5 years fixture, 2 years battery.
- Standard : cUL

Color Temperature: 6500K ☉



### LED Exit Sign (Running Man Sign)

- Model NO. : NX-EMRMEP
- Specification : AC120-347V; 60Hz; 80mA; 4.5W
- Working Temp : 0~40(°C)
- CRI(ra) : >80
- Color : White Color
- Light Source : Super Bright SMD LED
- Life Time : 50000 hrs
- Battery : Ni-CD battery (3.6V 900mAh)
- Self-powered: 120 minutes
- Product Size : 13.58\*2.32\*9.84inch
- IP : Suitable for Damp Locations
- Application : Home, Shop, Hotel...etc
- Warranty : 5 years fixture, 2 years batter
- Standard : cUL

Color Temperature: 6500K ☉



### LED Single Remote Head

|                    |                         |
|--------------------|-------------------------|
| ● Model No. :      | NX-EMRHS5W / NX-EMRHS7W |
| ● Specification :  | DC 5V-12V; 5W / 7W      |
| ● Working Temp :   | 0~30°C                  |
| ● Power Factor :   | 0.95                    |
| ● CRI(ra) :        | >85                     |
| ● Color :          | White Color             |
| ● Light Source :   | SMD                     |
| ● Lumen :          | 469 LM / 584 LM         |
| ● Life Time :      | 50000 hrs               |
| ● Product Size :   | 5.0*2.84*5.51 inch      |
| ● IP :             | IP20                    |
| ● Application :    | Shop, Hotel ...etc      |
| ● Warranty :       | 5 years                 |
| ● Standard :       | CSA                     |
| Color Temperature: | 6500K ☉                 |

### LED Double Remote Head

|                    |                                   |
|--------------------|-----------------------------------|
| ● Model No. :      | NX-EMRHD5W / NX-EMRHD7W           |
| ● Specification :  | DC 5V-12V; 2*5W / 2*7W            |
| ● Working Temp :   | 0~30°C                            |
| ● Power Factor :   | 0.95                              |
| ● CRI(ra) :        | >85                               |
| ● Color :          | White Color                       |
| ● Light Source :   | SMD                               |
| ● Lumen :          | 469 Lm per head / 584 Lm per head |
| ● Life Time :      | 50000 hrs                         |
| ● Product Size :   | 7.87*2.87*4.53 inch               |
| ● IP :             | IP20                              |
| ● Application :    | Shop, Hotel ...etc                |
| ● Warranty :       | 5 years                           |
| ● Standard :       | CSA                               |
| Color Temperature: | 6500K ☉                           |



### LED Water Proof Double Remote Head

|                    |                     |
|--------------------|---------------------|
| ● Model No. :      | NX-EMRHD3WWP        |
| ● Specification :  | DC 5V-12V; 2*3W     |
| ● Working Temp :   | 0~30°C              |
| ● Power Factor :   | 0.95                |
| ● CRI(ra) :        | >85                 |
| ● Color :          | White Color         |
| ● Light Source :   | SMD                 |
| ● Lumen :          | 280 Lm per head     |
| ● Life Time :      | 50000 hrs           |
| ● Product Size :   | 10.0*2.34*5.98 inch |
| ● IP :             | IP65                |
| ● Application :    | Shop, Hotel ...etc  |
| ● Warranty :       | 5 years             |
| ● Standard :       | CSA                 |
| Color Temperature: | 6500K ☉             |

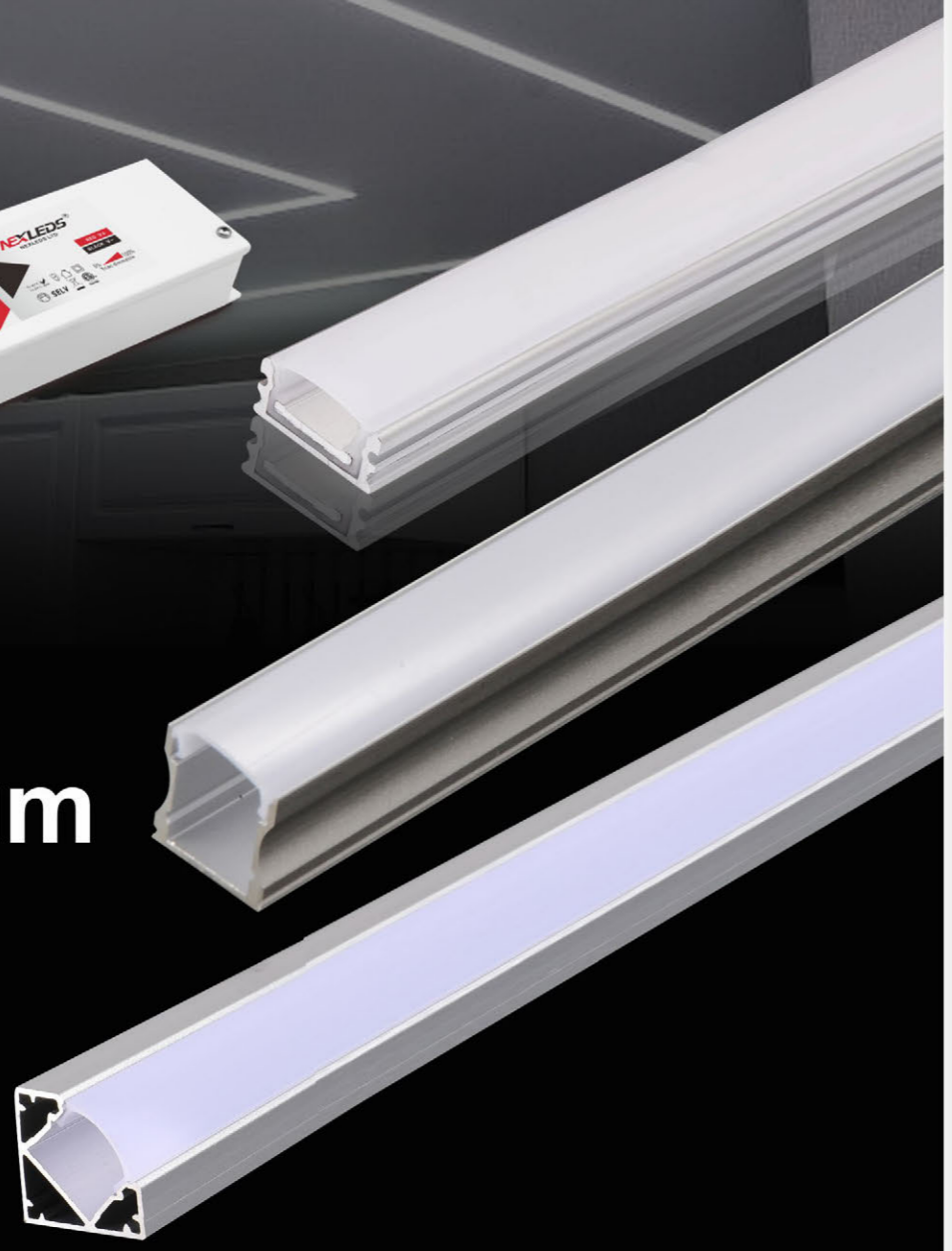


### LED Double Remote Head

|                    |                     |
|--------------------|---------------------|
| ● Model No. :      | NX-EMRHD3W          |
| ● Specification :  | DC 5V-12V; 2*3W     |
| ● Working Temp :   | 0~30°C              |
| ● Power Factor :   | 0.95                |
| ● CRI(ra) :        | >85                 |
| ● Color :          | White Color         |
| ● Light Source :   | SMD                 |
| ● Lumen :          | 280 Lm per head     |
| ● Life Time :      | 50000 hrs           |
| ● Product Size :   | 7.80*5.00*4.53 inch |
| ● IP :             | IP20                |
| ● Application :    | Shop, Hotel ...etc  |
| ● Warranty :       | 5 years             |
| ● Standard :       | CSA                 |
| Color Temperature: | 6500K ☉             |

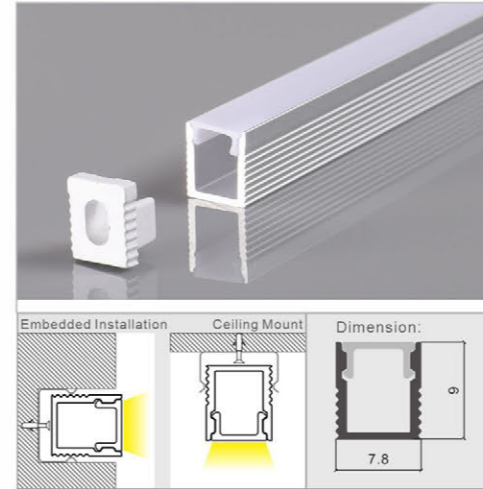


# Aluminium Profile



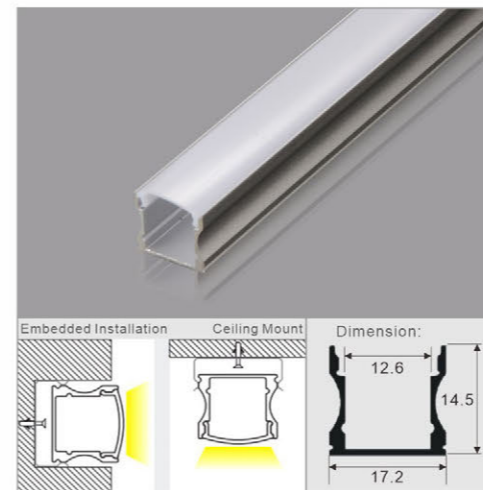
## Aluminium Profile

- Model : NX-0809
- Size : 7.8\*9mm
- Housing Material : T-6063 Aluminum
- Housing Color : Anodized Silver
- Cover : Opal Diffuser
- Accessory : End cap 2 PCS/M
- Beam angle : 120 Degree
- IP Rating : IP40 (Dry location)
- Package : 3M
- Application: LED Strip with 4-5mm PCB



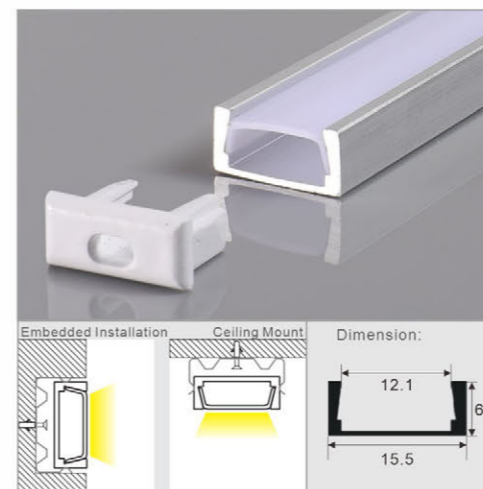
## Aluminium Profile

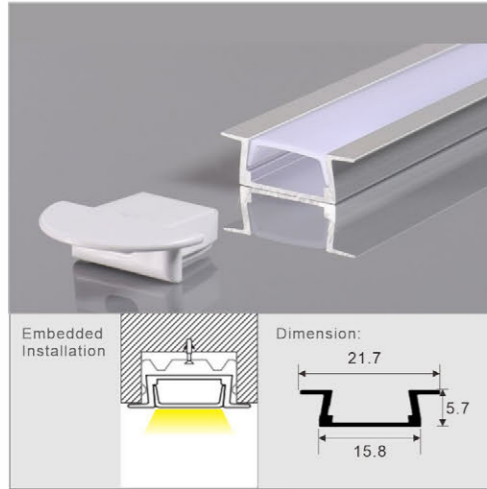
- Model : NX-613RS
- Size : 17.2\*14.5mm
- Housing Material : T-6063 Aluminum
- Housing Color : Anodized Silver
- Cover : Opal Diffuser
- Accessory : End cap 2 PCS/M, Metal Mounting Clip 2 pcs/M
- Beam angle : 120 Degree
- IP Rating : IP40 (Dry location)
- Package : 3M
- Application: LED Strip with 10/12mm PCB



## Aluminium Profile

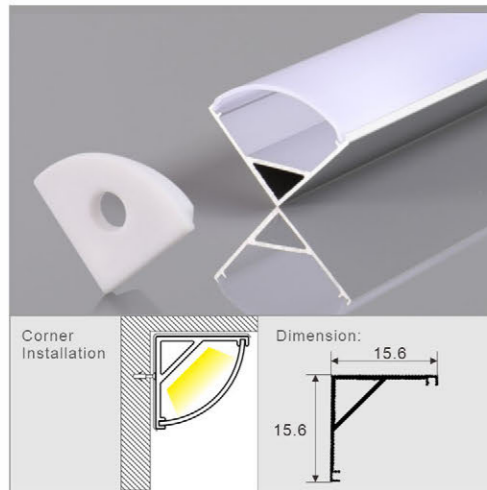
- Model : NX-610RS
- Size : 15.5\*6.6mm
- Housing Material : T-6063 Aluminum
- Housing Color : Anodized Silver
- Cover : Opal Diffuser
- Accessory : PC end cap; 2pcs/meter
- Beam angle : 120 Degree
- IP Rating : IP40 (Dry location)
- Package : 3M
- Application: LED Strip with 10/12mm PCB





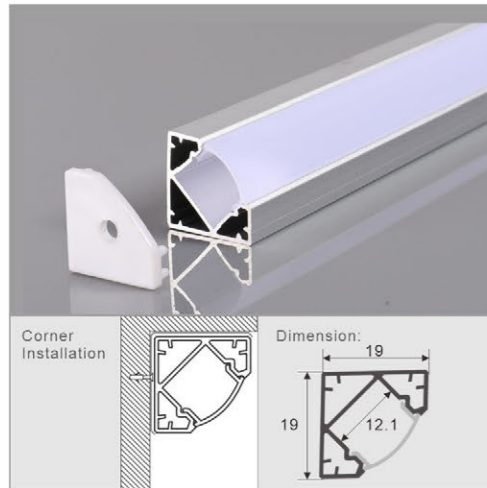
**Aluminium Profile**

- Model : NX-618RS
- Size : 21.7\*5.7mm
- Housing Material : T-6063 Aluminum
- Housing Color : Anodized Silver
- Cover : Opal Diffuser
- Accessory : PC end cap; 2pcs/meter
- Beam angle : 120 Degree
- IP Rating : IP40 (Dry location)
- Package : 3M
- Application: LED Strip with 10/12mm PCB



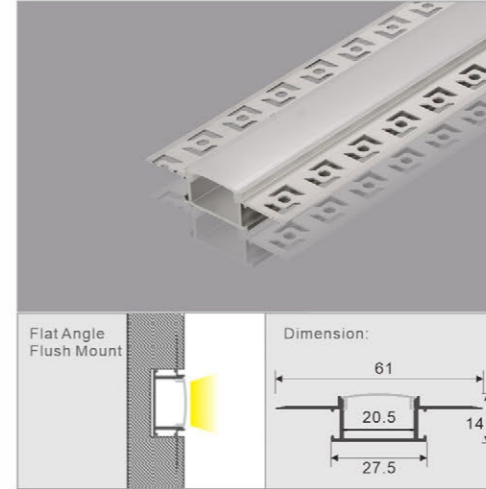
**Aluminium Profile**

- Model : NX-601RS
- Size : 15.6\*15.6mm
- Housing Material : T-6063 Aluminum
- Housing Color : Anodized Silver
- Cover : Opal Diffuser
- Accessory : PC end cap; 2pcs/meter
- Beam angle : 120 Degree
- IP Rating : IP40 (Dry location)
- Package : 3M Available
- Application: LED Strip with 10 mm PCB



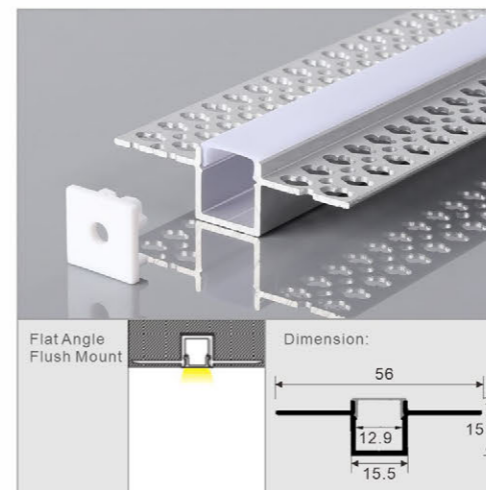
**Aluminium Profile**

- Model : NX-614RS
- Size : 19\*19mm
- Housing Material : T-6063 Aluminum
- Housing Color : Anodized Silver
- Cover : Opal Diffuser
- Accessory : PC end cap; 2pcs/meter
- Beam angle : 120 Degree
- IP Rating : IP40 (Dry location)
- Package : 3M
- Application: LED Strip with 10/12mm PCB



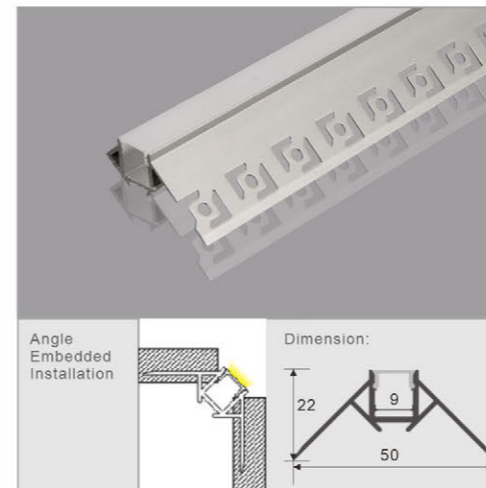
**Aluminium Profile**

- Model : NX-Q5M
- Size : 61\*14mm
- Housing Material : T-6063 Aluminum
- Housing Color : Anodized Silver
- Cover : Opal Diffuser
- Accessory : End cap 2 PCS/M
- Beam angle : 120 Degree
- IP Rating : IP40 (Dry location)
- Package : 3M
- Application: LED Strip with 10/15/20 mm PCB



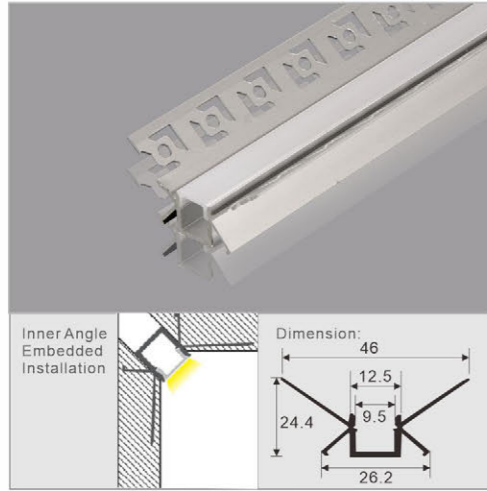
**Aluminium Profile**

- Model : NX-Q639M
- Size : 56\*15mm
- Housing Material : T-6063 Aluminum
- Housing Color : Anodized Silver
- Cover : Opal Diffuser
- Accessory : PC end cap; 2pcs/meter
- Beam angle : 120 Degree
- IP Rating : IP40 (Dry location)
- Package : 3M
- Application: LED Strip with 8/10/12mm PCB



**Aluminium Profile**

- Model : NX-Q1M
- Size : 50\*22mm
- Housing Material : T-6063 Aluminum
- Housing Color : Anodized Silver
- Cover : Opal Diffuser
- Accessory : PC end cap; 2pcs/meter
- Beam angle : 120 Degree
- IP Rating : IP40 (Dry location)
- Package : 3M
- Application: LED Strip with 8mm PCB



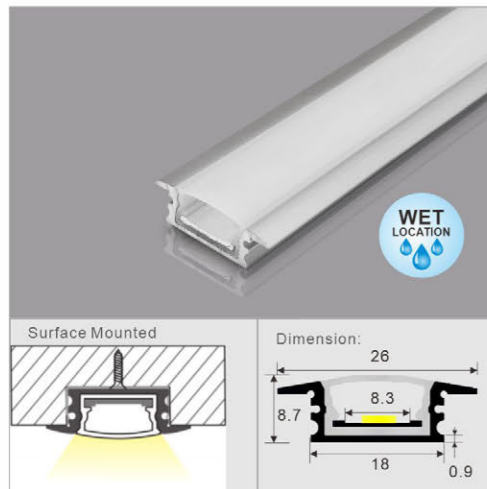
**Aluminium Profile**

- Model : NX-Q2M
- Size : 46\*24.4mm
- Housing Material : T-6063 Aluminum
- Housing Color : Anodized Silver
- Cover : Opal Diffuser
- Accessory : PC end cap; 2pcs/meter
- Beam angle : 120 Degree
- IP Rating : IP40 (Dry location)
- Package : 3M
- Application: LED Strip with 8 mm PCB



**Aluminium Profile**

- Model : NX-W1808
- Size : 18\*8.7mm
- Housing Material : T-6063 Aluminum
- Housing Color : Anodized Silver
- Cover : Opal Diffuser
- Accessory : PC end cap: 2pcs/meter; Silicone end cap: 2pcs/meter; Mounting Clip: 2pcs/meter
- Beam angle : 120 Degree
- IP Rating : IP65, use with IP65 LED strip
- Package : 3M
- Application: LED Strip with 8 mm PCB



**Aluminium Profile**

- Model : NX-2608W
- Size : 26\*8.7mm
- Housing Material : T-6063 Aluminum
- Housing Color : Anodized Silver
- Cover : Opal Diffuser
- Accessory : PC end cap: 2pcs/meter; Silicone end cap: 2pcs/meter; Mounting Clip: 2pcs/meter
- Beam angle : 120 Degree
- IP Rating : IP65, use with IP65 LED strip
- Package : 3M
- Application: Embedded Installation  
LED Strip with 8 mm PCB



**LED Driver**

| Model         | Watt | Input Current | Output Current |
|---------------|------|---------------|----------------|
| NX-LVD-4024-D | 40W  | 0.47A         | 1670mA         |
| NX-LVD-6024-D | 60W  | 0.70A         | 2500mA         |
| NX-LVD-9624-D | 96W  | 1A            | 4000mA         |

- Input: 90~130V AC , 48-62Hz
- Output: DC24V , CVmax
- PF : >0.95
- Efficiency : >85%
- IP: IP 54
- Ta : 40°C
- Tc : 80°C
- Traic Dimmable: 5%~100%



**Class 2**



**Dimming LED Driver**

| Model          | Watt | Input Current | Output Current        |
|----------------|------|---------------|-----------------------|
| NX-LVD-19224-D | 192W | 2.0A          | 8000mA<br>(2*4000mA)  |
| NX-LVD-28824-D | 288W | 2.98A         | 12000mA<br>(3*4000mA) |

- Input: 110~277V AC , 50-60Hz
- Output: DC24V , CVmax
- PF : >0.95
- Efficiency : >85%
- IP: IP 65
- Optional Dimming Mode: 1. Triac / Phase-cut / ELV / MLV  
2. 0-10V  
3. 1-10V  
4. RX  
5. 10VPWM

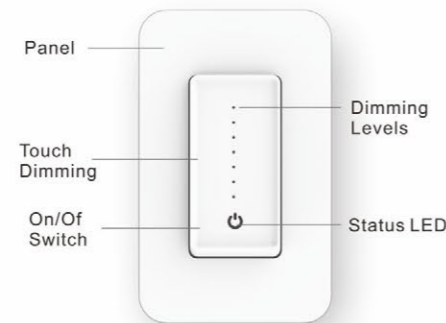


**Class 2**



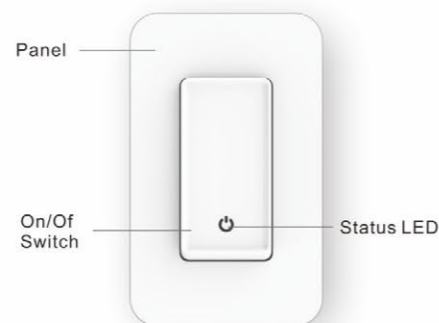
### 1-Way Smart Dimmer Switch

|                                  |                          |
|----------------------------------|--------------------------|
| ● Model NO.:                     | NX-SSWD-1                |
| ● Input Power:                   | 100~240V AC 50~60Hz      |
| ● Dimming Control:               | TRIAC Edge Cut           |
| ● Inductive load (LED/CFL):      | 250W Max                 |
| ● Resistive load (Incandescent): | 430W Max                 |
| ● Communication:                 | WiFi 802.11 b/g/n 2.4GHz |
| ● Dimmer Type:                   | 1-Way                    |
| ● Max Current:                   | 7A                       |
| ● Standby Power:                 | ≤0.5W                    |
| ● Button Life:                   | 50K times                |
| ● Dimension:                     | 105*45* 45mm             |



### 3 Way Smart Switch

|                  |                          |
|------------------|--------------------------|
| ● Model NO.:     | NX-SSW-3                 |
| ● Input Power:   | 100~240V AC 60Hz         |
| ● Control:       | Relay                    |
| ● Communication: | WiFi 802.11 b/g/n 2.4GHz |
| ● Switch Type:   | 3-Way                    |
| ● Max Current:   | 15A                      |
| ● Standby Power: | ≤0.5W                    |
| ● Button Life:   | 50K times                |
| ● Dimension:     | 105*45*42.5mm            |



### Smart Dimmer Switch

|                        |  |
|------------------------|--|
| ● Model NO.:           | NX-SSWD-N  |
| ● Rated Voltage:       | 120V   |
| ● Rated Frequency:     | 60Hz   |
| ● Rated Power:         | Max.600W   |
| ● Communication:       | WIFI   |
| ● Switch Times:        | ≥40000 times   |
| ● Installation Method: | In-Wall  |
| ● Power Supply:        | Neutral and Live wire                                      |
| ● Dimmer Type :        | Single Pole / 3-ways                                       |
| ● Size:                | 105 x44 x32mm (LxWxH)                                      |
| ● Application:         | Indoor (living rooms, apartments, hotels, hospitals...etc) |

#### LOAD RANGE:

|                          |           |
|--------------------------|-----------|
| Incandescent lamp        | 1 5W-600W |
| LED lamp                 | 3W-200W   |
| Halogen lamp             | 1 5W-600W |
| Low voltage halogen lamp | 3W-200W   |
| CFL- fewer than 5pcs     | 3W-200W   |
| Electric resistive heat  | 1 5W-600W |



**15amp GFCI Socket**  
NX-SSGFCI15TR



**20amp GFCI Socket**  
NX-SSGFCI20TR



**3way Slide Dimmer**  
NX-SSDS3W



**15amp USB Socket**  
4.8A high charging rate  
NX-SS4USBC15

